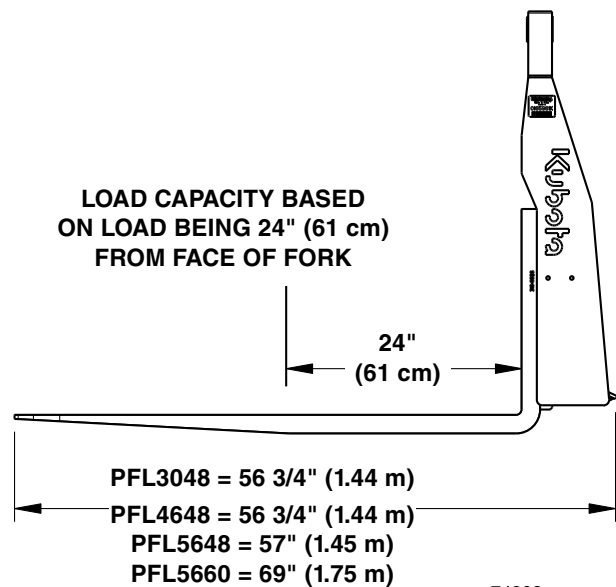
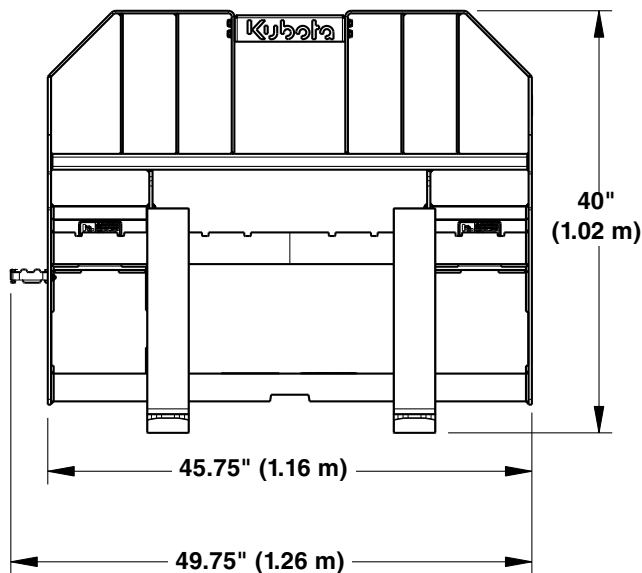


**PFL30, PFL46, & PFL56 Series**

Specifications & Capacities				
	PFL3048	PFL4648	PFL5648	PFL5660
Side Step	Yes	Yes	Yes	Yes
Weight	358 lbs (162 kg)	412 lbs (187 kg)	436 lbs (198 kg)	482 lbs (219 kg)
Lift Capacity	3000 lbs (1361 kg)	4500 lbs (2041 kg)	5500 lbs (2495 kg)	
	Lift capacity is based on load being 24" (61 cm) from face of fork. Load must be palletized and supported by two forks.			
Class	II			
Frame Width	45 3/4" (1.16 m)			
Frame Height	40" (1.02 m)			
Tine Thickness	1 1/4" (3.2 cm)	1 1/2" (3.8 cm)	1 3/4" (4.4 cm)	
Tine Width	4" (10 cm)			
Tine Length	48" (1.22 m)			60" (1.52 m)
Fork Positioning Lock	Spring Loaded Toggle			



74602

**PFL3048, PFL4648, PFL5648, & PFL5660 Series**